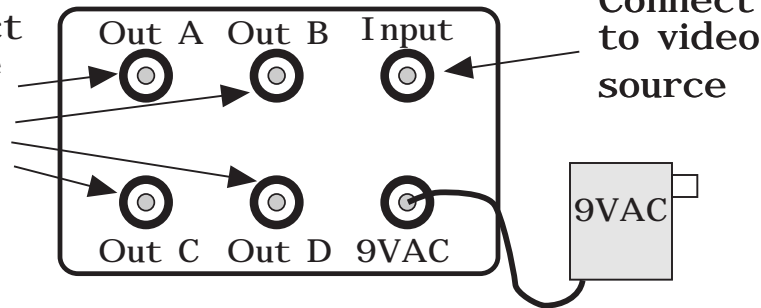


CONNECTION DIAGRAM

Connect the power supply using the supplied 9 VAC power supply. We suggest using gold RCA video plugs on all connecting video cables. Unterminated output jacks do not normally need termination plugs. All inputs and outputs are 75 ohms.

Individually connect the outputs to the appropriate video input using good quality RCA video connection cables.



MR234 QUAD VIDEO AMP

Information and Installation Guide

Congratulations for choosing the finest video amplifier available. To assure correct installation and to realize the full potential of this product, please read and follow these instructions carefully. If you have questions or comments, please don't hesitate to call or write your Knöll dealer.

The MR234 is designed to be used in systems where a single composite video feed (NTSC, PAL or SECAM) needs to be "split" into two to four channels. The MR234 gain is one and as it is a high quality amplifier, virtually everything inputted to the amplifier is outputted identically to the four outputs. Input and output impedances are the industry standard 75 ohms.

The MR234 output is unbalanced and therefore is unsuited to long cable runs, especially in high EMI areas. In this case we suggest using the Knöll UTP send and receive which sends balanced high quality video and audio on a single cat 5 wire.

INSTALLATION TIPS:

1. Follow all electrical and building code requirements in your area.
2. The MR234 is never installed inside a wall, but on a wall or behind electronic equipment.
3. There are no user or installer adjustments on the MR234.
4. Connect the one to four outputs from the MR234 to a suitable video input ideally using a short as possible gold RCA jack video cables. We do not suggest long cable lengths, as video interference may be experienced from time to time.
5. Connect the video source to the MR234 again ideally using a short as possible gold RCA jack video cable.
6. Connect the 9VAC power supply to the MR234. The power supply can be on all the time or switched on and off with the system as desired.
7. In certain instances the RF being emitted from the unused MR234 outputs may cause interference with other electronic items. In these rare cases, terminate the unused MR234 outputs with 75 ohm resistive RCA plugs.

USA and CANADA WARRANTY

Knöll Systems warrants its MR234 sold in the USA or Canada by authorized Knöll Systems dealers to be free of defects in materials and workmanship. This warranty extends for three years from the date of purchase by the original consumer. Any MR234 returned to and found to be defective by Knöll Systems within the warranty period will be repaired or replaced at Knöll Systems option, at no charge. Knöll Systems will not be responsible for the actual cost of installation or removal of the product, nor for any incidental or consequential damages. Some states do not allow the exclusion or limitation of incidental or consequential damages, so the above limitation may not apply to you. This warranty gives you specific legal rights. You may have additional legal rights that vary from state to state.



Knöll Systems
145 Tye Drive
Point Roberts,
WA 98281

MR234
© COPYRIGHT 1999-2003
ALL RIGHTS RESERVED