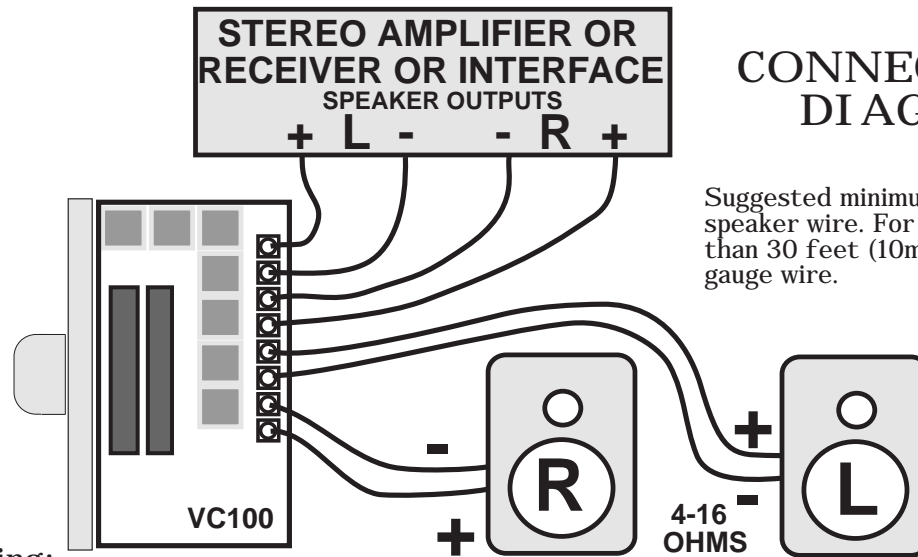


CONNECTION DIAGRAM



Suggested minimum 16 gauge speaker wire. For runs longer than 30 feet (10m) use 12-14 gauge wire.

Warning:
Maximum amplifier power 120 watts per channel.
Higher power amplifiers may cause damage.

VC100 TRANSFORMER-FREE™ STEREO VOLUME CONTROL

Information and Installation Guide

All Knöll transformer free products include patent pending exclusive designs

Congratulations for choosing the finest stereo volume control available. To assure correct installation and to realize the full potential of this new volume control, please read and follow these instructions carefully. If you have questions or comments, please don't hesitate to call or write your Knöll dealer.

Knöll transformer free high power room volume controls are designed to fit standard electrical junction boxes (J-boxes). Standard plate colors are white, bone, black and brass. Plates can be decora or standard style. The VC100 has a power capacity of 100 watts RMS per channel with 350 watt peaks for 5 seconds permissible. Speakers can be 4-16 ohms. The VC100 features floating independent grounds so bridged amplifiers can be safely used. Frequency response is DC to 500,000 Hz +/- 0.1 dB at all power levels up to 350 watts. THD and IM distortion is barely measurable. For best results when connecting 2 or more VC100 volume controls to one amplifier or receiver, use a Knöll transformer free stereo interface.

INSTALLATION TIPS:

1. Follow all electrical and building code requirements in your area.
2. The VC100 can be installed in an electrical junction box but it is not required. Make sure the VC100 white elements do not touching anything, especially plastic vapor barriers. To obtain the full power rating, volume control heat needs to be ventilated. When installing the VC100 in an electrical box, remove the bottom and top knockouts or drill holes to let heat dissipate.
3. Never install the VC100 in the same electrical junction box as high voltage equipment (75+ volt) unless an approved barrier separates high from low voltage equipment.
4. Speaker wire can be solid or stranded. Suggested minimum wire size is 16 gauge and 12-14 gauge for runs longer than 30' (10m).
5. Wire both left and right speaker outputs from the amplifier, receiver or interface to the VC100 inputs.
6. Proper polarity is essential to achieve best speaker sound quality with maximum output. Be careful to wire the + or positive terminals of the amplifier, interface, VC100 volume control and speakers together. Never connect left and right channel wires of the positive OR

ground (-) together as amplifier damage may result. The - or negative terminals of the amplifier, volume control and speakers must be wired as shown in the diagram.

7. Wire the VC100 outputs to the corresponding speaker terminals as indicated on the VC100 connector.

WARRANTY

Knöll Systems warrants its VC100 sold in the USA by authorized Knöll Systems dealers to be free of defects in materials and workmanship. This warranty extends for one full year from the date of purchase by the original consumer. Any VC100 returned to and found to defective by Knöll Systems within the warranty period will be repaired or replaced at Knöll Systems option, at no charge. Knöll Systems will not be responsible for the actual cost of installation or removal of the product, nor for any incidental or consequential damages. Some states do not allow the exclusion or limitation of incidental or consequential damages, so the above limitation may not apply to you. This warranty gives you specific legal rights. You may have additional legal rights that vary from state to state.

Knöll Systems
145 Tye Drive
Point Roberts, WA
98291



VC100
© COPYRIGHT 1999
ALL RIGHTS RESERVED