



INFORMATION AND INSTALLATION GUIDE

SCREEN VS27 ACTIVATOR

Congratulations for choosing the finest screen activator available. To assure correct installation and to realize the full potential of this product, please read and follow these instructions carefully. If you have questions or comments, please don't hesitate to call or write your dealer. Your Knöll dealer has the experience needed to pinpoint any problems that may exist and has easy access to technical information from the Knöll Systems factory.

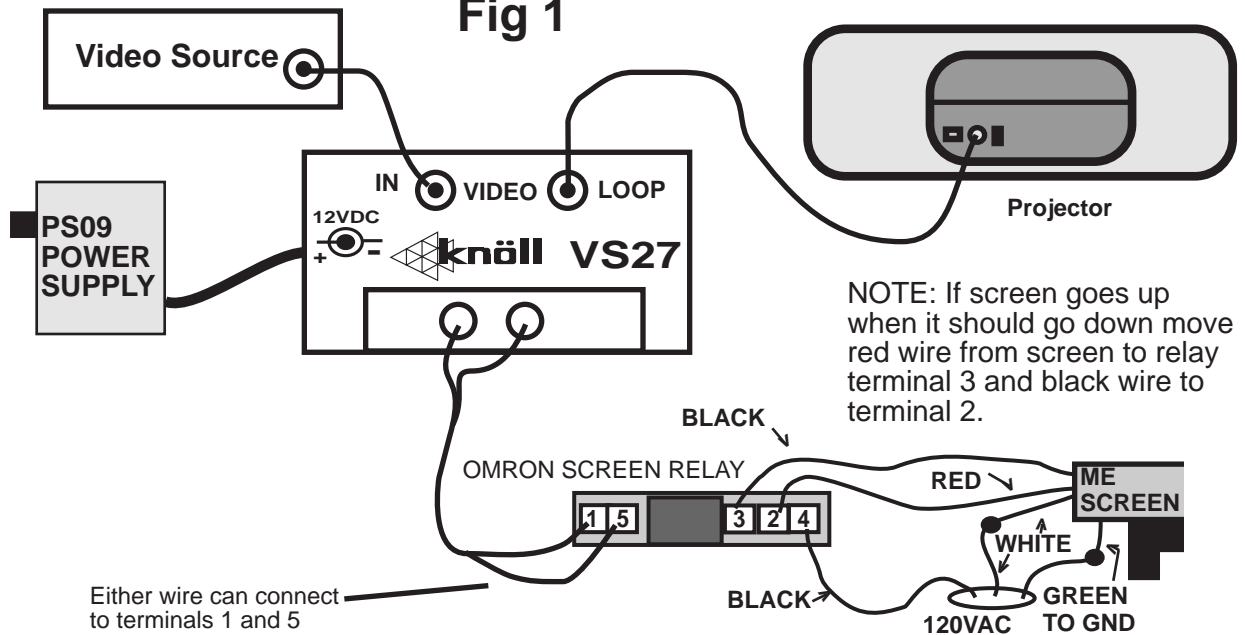
The VS27 SCREEN ACTIVATOR is designed to lower motorized video screens and activate other relay based functions (such as turn off fireplace or close curtains) when a composite signal to the projector (or any other TV or video monitor) is detected. Extra remote control commands or mechanical wall mounted switches are not required to activate the screen. When the composite video signal is turned off, the VS27 turns off the screen relay power, rolling the screen back up. There are no user serviceable parts in the VS27.

INSTALLATION TIPS:

1. Follow electrical & building code requirements in your area.
2. Install the VS27 near the projector or video source.
3. Connect the video source composite output to the VS27. Please note the composite output does not have to be viewed to activate the screen (can view RGB, component, S-Video, etc.)
4. If required connect the VS27 to the projector composite input.
5. Connect the screen relay and socket as shown below. The connections of the screen relay should be performed by a qualified electrician. The relay and socket are normally located in the junction box inside ME screens. Sometimes depending on the series of the screen motors, the black and red wires from the screen are inverted, causing the screen to roll down when the projector is turned off. If this occurs, rewire the relay socket, with the red wire to terminal 3 and the black wire to terminal 2.
6. Run a 16-22 gauge wire pair from the screen junction box to the VS27. Fasten the relay socket inside the screen j-box. The SCREEN RELAY jack provides constant 12VDC power to activate the screen or other relays. When the video signal is turned off, so is the 12VDC power for the relay(s).
7. After completing the above, plug in the PS09 power supply and verify that the system is working.

NOTE: Connect PS09 to a continuous 120VAC supply

Fig 1



NOTE: If screen goes up when it should go down move red wire from screen to relay terminal 3 and black wire to terminal 2.

Note: Use connectors on white and green screen wires

WARRANTY:

Knöll Systems warrants its products to be free from defects in materials and workmanship. This warranty extends for one full year from the date of purchase by the consumer. Any products returned freight pre-paid to Knöll systems and found to be defective by Knöll Systems within the warranty period will be repaired or replaced at Knöll Systems option, at no charge.

Knöll Systems will not be responsible for the actual cost of installation or removal of the product, nor for any incidental or consequential damages. Some states do not allow the exclusion or limitation of incidental or consequential damages, so the above limitation or exclusion may not apply to you. This warranty gives you specific legal rights. You may have additional rights which vary from state to state.

08/98

Knöll Systems
tel. (604) 272-4555
fax. (604) 272-5595

In America:
145 Tye Drive
Point Roberts, WA 98281

In Canada:
11791 Machrina Way, #120
Richmond, B.C. V7A 4V3